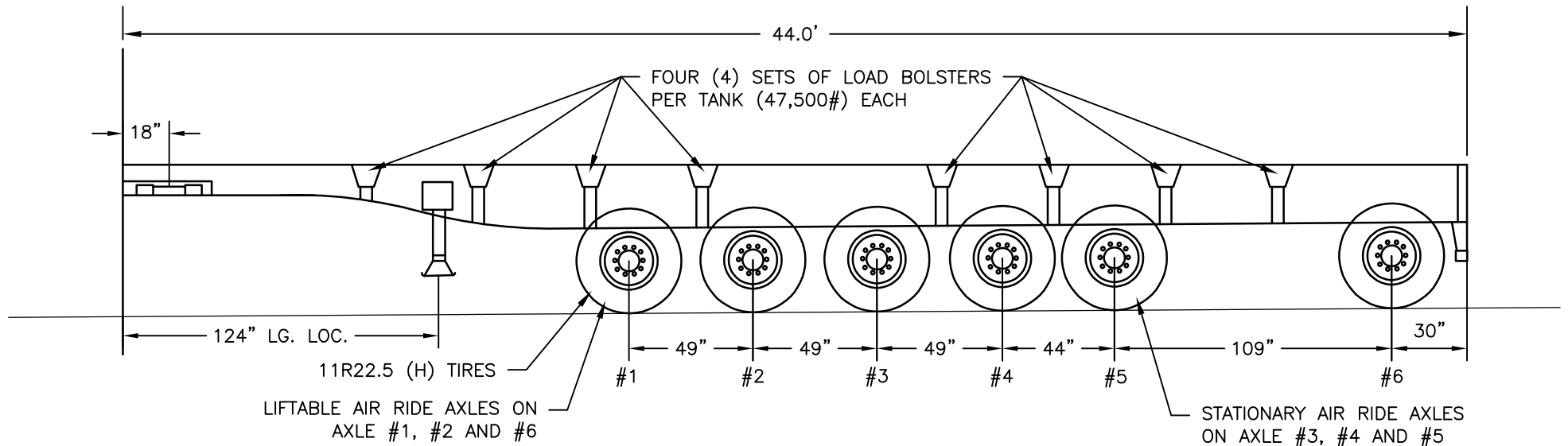
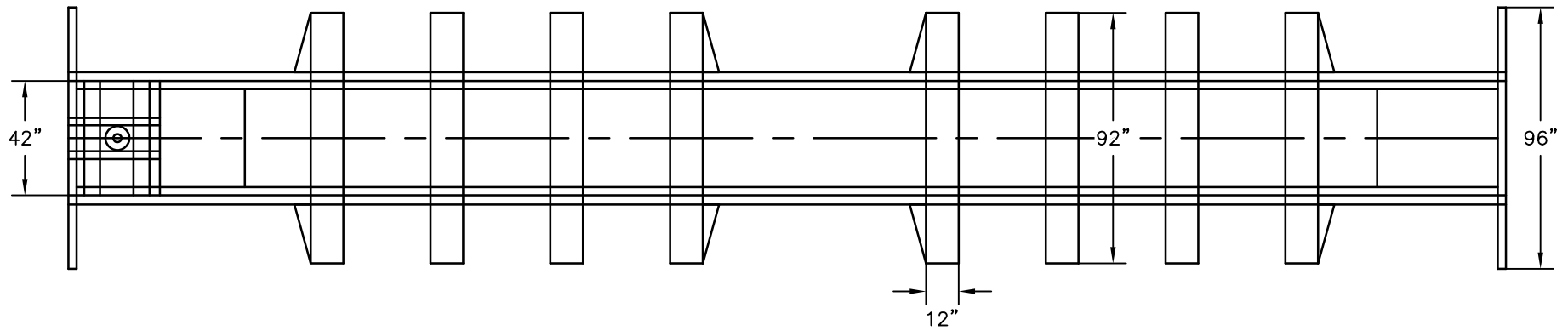


TOP VIEW



SIDE VIEW



LAPEER COUNTY ROAD COMMISSION
 820 DAVIS LAKE ROAD
 LAPEER, MI 48446
 PHONE: 810-664-6272 FAX: 810-664-0404
 www.lcrconline.com

BRINE TRAILER SPECIFICATION
 50 TON STRAIGHT FRAME 44'-0" WITH
 BOLSTERS TO HAUL TWO (2) LIQUID TANKS

11/02/2018
 #377 / #418
 SHEET
 1 of 1